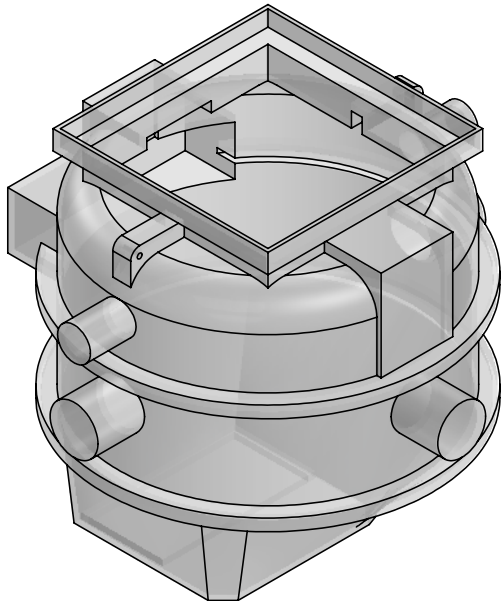


Think Tank. Think ENDURATANK

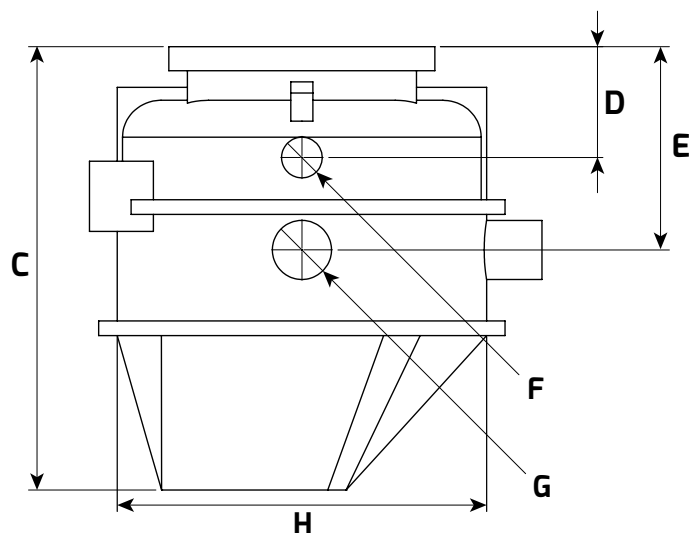
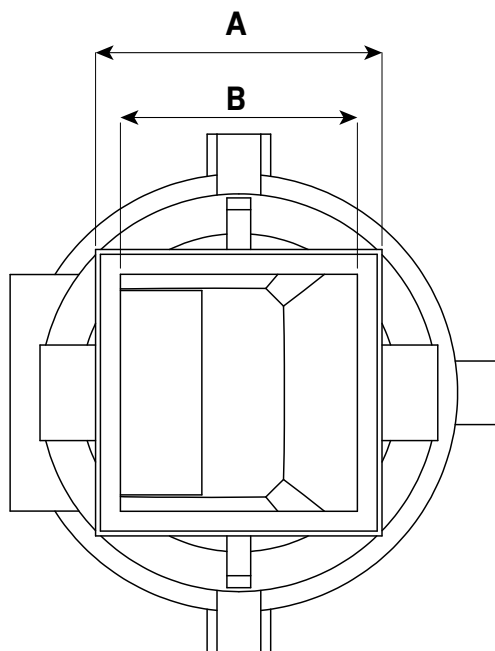
**NEED
MORE HELP?
CALL US ON
01778 562810**



800 LITRE TAPERED BASE UNDERGROUND WATER TANK TECHNICAL SPECIFICATION

CODE	VTR-80T		
CAPACITY (litres)	800	CAPACITY (Gallons)	175

A (mm)	720	E (mm)	550
B (mm)	596	F (mm)	Ø 110
C (mm)	1200	G (mm)	Ø 160
D (mm)	300	H (mm)	Ø 1100



Please note: Tank sizes quoted are subject to a + / - 3% variation. Drawings not to scale

ENDURATANK

© Enduramaxx 2018. Copyright of this drawing is reserved by Enduramaxx. The issue of this drawing is confidential disclosure of its contents, and is made conditional that it is neither disclosed to a third party, nor any item described herein and designed by Enduramaxx is produced either in whole or in part without the written consent of Enduramaxx.



Enduratank is a division of Enduramaxx
01778 562810 sales@enduratank.co.uk

Visit us at www.enduratank.co.uk