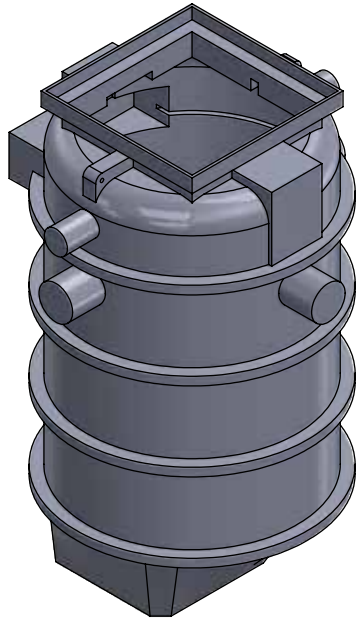


Think Tank. Think ENDURATANK

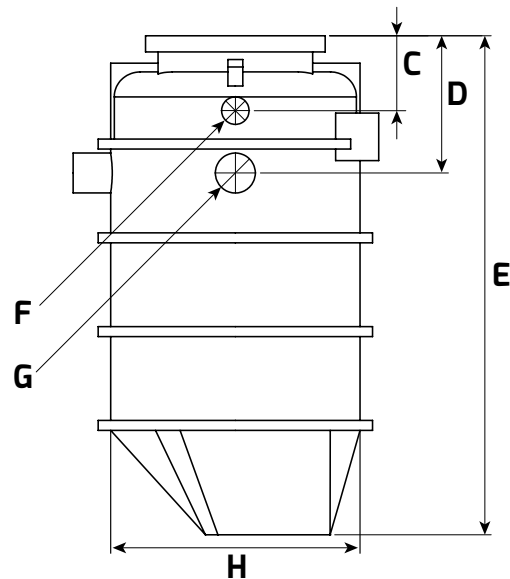
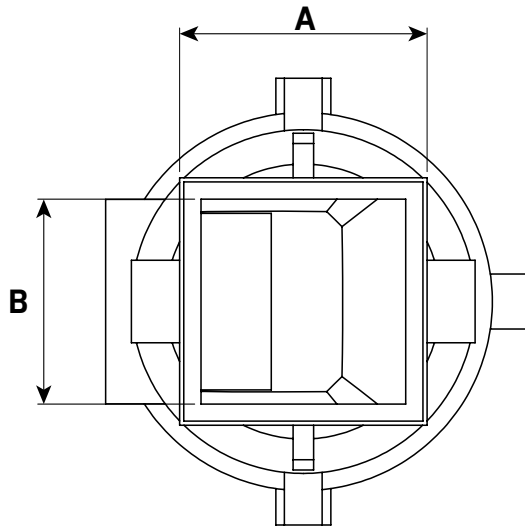
**NEED
MORE HELP?
CALL US ON
01778 562810**



1400 LITRE TAPERED BASE UNDERGROUND WATER TANK TECHNICAL SPECIFICATION

VTR-140T	VTR-140T		
CAPACITY (litres)	1400	CAPACITY (Gallons)	300

A (mm)	720	E (mm)	2000
B (mm)	596	F (mm)	Ø 110
C (mm)	300	G (mm)	Ø 160
D (mm)	550	H (mm)	Ø 1100



ENDURATANK

© Enduramaxx 2018. Copyright of this drawing is reserved by Enduramaxx. The issue of this drawing is confidential disclosure of its contents, and is made conditional that it is neither disclosed to a third party, nor any item described herein and designed by Enduramaxx is produced either in whole or in part without the written consent of Enduramaxx.



Endurata tank is a division of Enduramaxx
01778 562810 sales@endurata tank.co.uk

Visit us at www.endurata tank.co.uk